

LDB100 - Brightfield LED

White Light Illumination



Brightfield LED illuminator provides all the advantages of LED illumination in a flexible package that can be fitted to most modern microscope systems, both inverted and upright. This compact device fits easily to the microscope, simply replacing the standard lamp house, but the LED will provide 10,000+ hours of operating lifetime.

The instant ON/OFF capabilities of the LED system negates the need for mechanical shutters thereby avoiding any potential vibration issues.

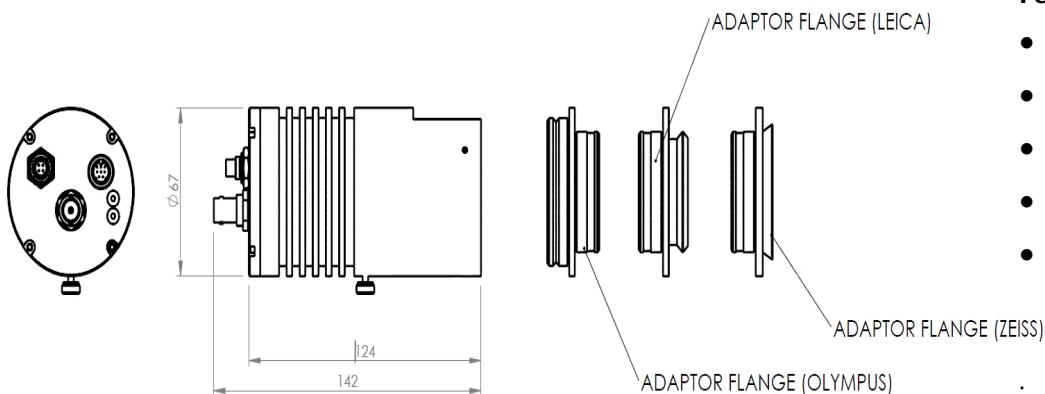
The intensity can be regulated manually via a small controller, to give precise control of the illumination. The intensity is sufficient even for contrast techniques such as phase contrast or DIC imaging.

The LDB100 can be powered directly from the Prior Proscan / Optiscan controllers via the shutter connections or as a stand alone light source with a separate power cable.

Adapters are available for most of the microscopes from all the major microscope manufacturers.

Features:

- Ease of Use
- Stand alone control unit.
- Instant On/Off.
- TTL Triggering for fast control.
- Direct coupling for maximum light efficiency.



CERTIFICATE NO: FM 61600
STANDARD: BS EN ISO 9001:2000

Prior Scientific Ltd
Cambridge, UK.
T. +44 (0) 1223 881711
E. uksales@prior.com

Prior Scientific Inc.
Rockland, MA, USA.
T. +1 781-878-8442
E. info@prior.com

Prior Scientific GmbH
Jena, Germany.
T +49 (0)3641 675 650
E. vertrieb@prior.com

Prior KK
Tokyo, Japan.
T. +81 (0) 3 5847 8213
E. info-japan@prior.com

VISIT PRIOR ON THE WEB AT WWW.PRIOR.COM

LDB100 - Brightfield LED

White Light Illumination

Ordering Information;

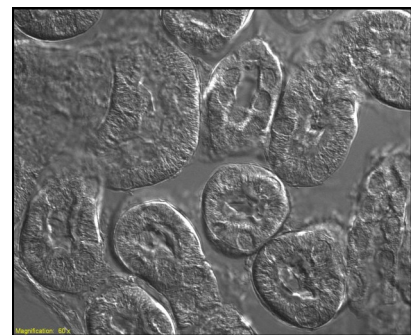
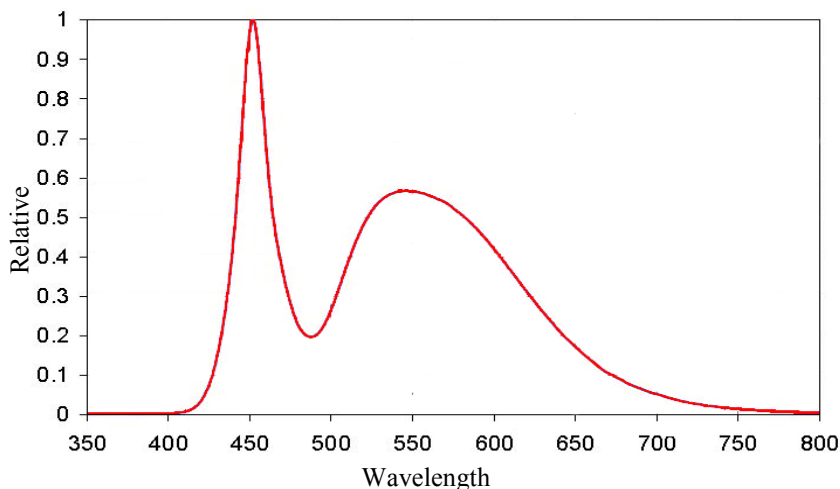
Part Number	Description
LDB100LE	Brightfield LED for Leica microscopes * for use with Prior Controller
LDB101LE	Brightfield LED for Leica microscopes * with stand alone power supply
LDB100NI	Brightfield LED for Nikon microscopes * for use with Prior Controller
LDB101NI	Brightfield LED for Nikon microscopes * with stand alone power supply
LDB100OL	Brightfield LED for Olympus microscopes * for use with Prior Controller
LDB101OL	Brightfield LED for Olympus microscopes * with stand alone power supply
LDB100ZS	Brightfield LED for Zeiss microscopes * for use with Prior Controller
LDB101ZS	Brightfield LED for Zeiss microscopes * with stand alone power supply

* please inform Prior of the exact microscope type

Compatibility;

Part Number	Description
V31XYZF	Proscan TM III controller with X,Y,Z drives, three filter wheel drives and three shutter drives
V31F	Proscan TM III controller with three drives for Z focus and two or three filter wheels; includes three shutter drives
V31ADF	Supplementary module for V31 controller to add three additional filter wheels.
ES10	OptiScan II controller with X,Y,Z drives, two filter wheel drives and 3 shutter drives

Performance;



CERTIFICATE NO: FM 61600
STANDARD: BS EN ISO 9001:2000

Prior Scientific Ltd
Cambridge, UK.
T. +44 (0) 1223 881711
E. uksales@prior.com

Prior Scientific Inc.
Rockland, MA, USA.
T. +1 781-878-8442
E. info@prior.com

Prior Scientific GmbH
Jena, Germany.
T +49 (0)3641 675 650
E. vertrieb@prior.com

Prior KK
Tokyo, Japan.
T. +81 (0) 3 5847 8213
E. info-japan@prior.com

VISIT PRIOR ON THE WEB AT WWW.PRIOR.COM