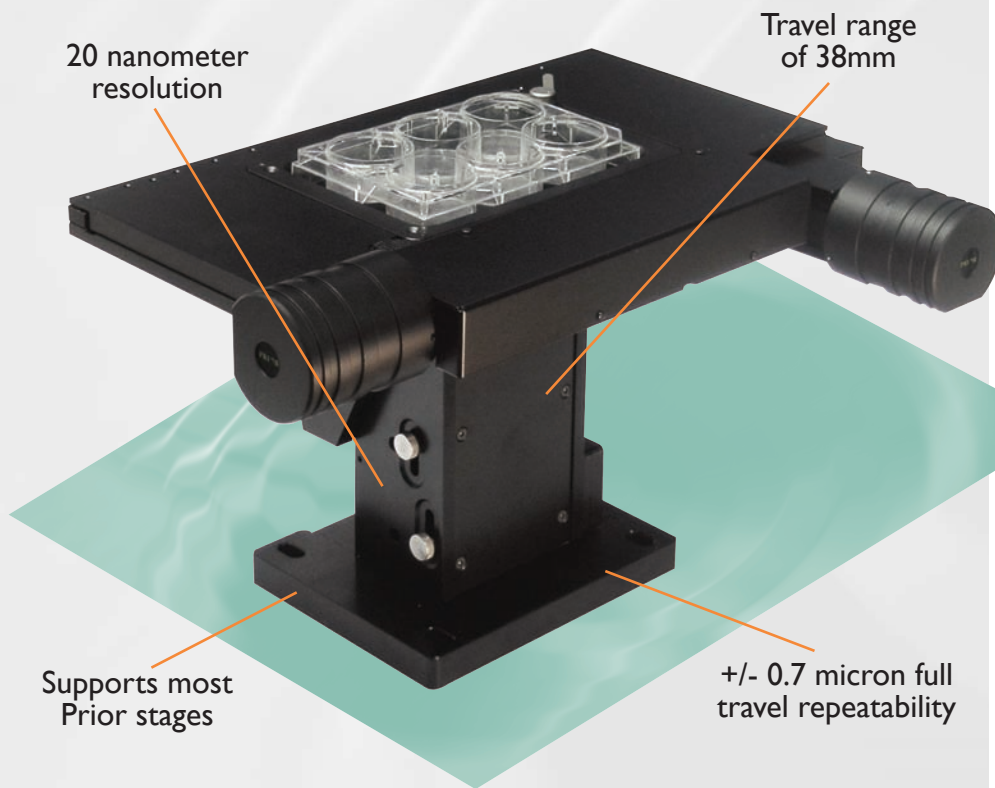


Z Axis Motorized Stage

PRIOR
Scientific

38mm Travel Motorized Axis; XY Stage Can Be Mounted For Transmitted and Reflected Light Applications

Features

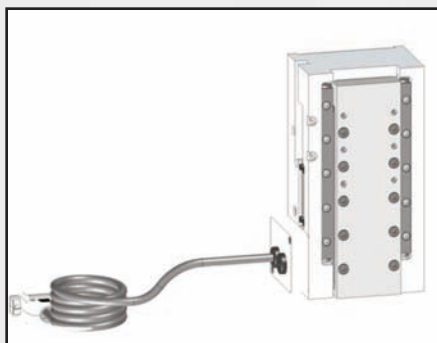


The Z axis motorized stages offer a wide range of positioning solutions for a variety of applications. Many configurable options are available from a simple motorized linear axis to a full three axis stage system. This flexibility is ideal for the requirements of customized solutions, particularly for OEM applications. The Z axis motorized stage complements the accuracy and repeatability expected from Prior positioning systems and is capable of supporting any of Prior Scientific's upright range of stages.

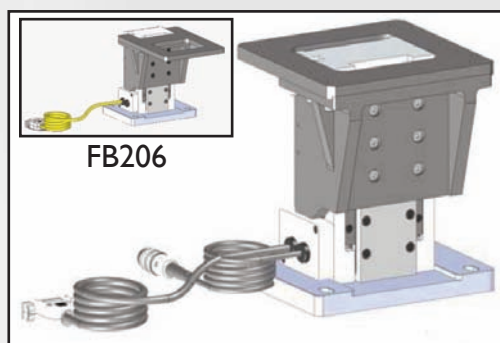
The Z axis motorized stage features:

- Travel range of 38mm
- 20 nanometer resolution
- +/-0.7 micron full travel repeatability
- Supports most Prior stages
 - High precision ball screw
 - Adjustable limit switches
- Fully configurable
- Compatible with any Prior controller
- Drives horizontally or vertically

Prior motorized stages have a reputation for quality and performance. As an ISO 9001:2008 accredited company Prior equipment is designed and manufactured to the highest quality standards. Prior provides full support and service both direct and indirect through a professional, knowledgeable and extensive global dealer network.



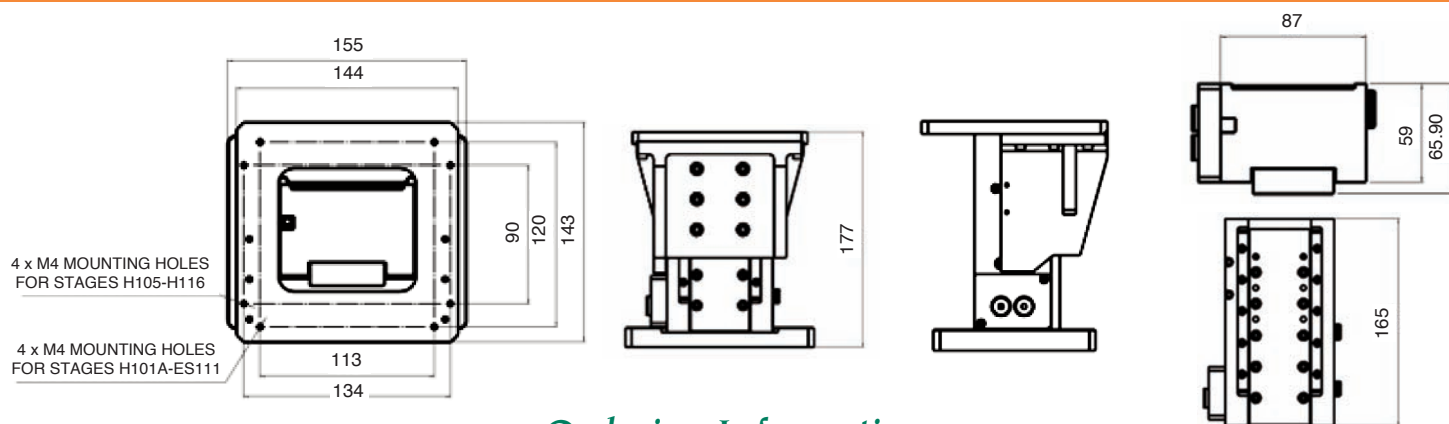
FB203



FB204E



Z Axis Motorized Stage



Ordering Information

Part Number	Description
FB203	Motorized linear axis
FB204	Motorized linear axis with mounting stand - reflected light
FB204E	Motorized linear axis with mounting stand (encoded) - reflected light
FB206	Motorized linear axis with mounting stand - transmitted light
FB206E	Motorized linear axis with mounting stand (encoded) - transmitted light

General Specifications

	FB203	FB204/FB206	FB204E/FB206E
Dimensions	165mm x 92mm x 66mm	177mm x 155mm x 143mm	177mm x 155mm x 143mm
*Resolution	20 nanometers	20 nanometers	100 nanometers
*Straightness (Over Full Travel)	+/- 3.5 microns	+/- 3.5 microns	+/- 3.5 microns
*Full Travel Repeatability	+/- 0.7 microns	+/- 0.7 microns	+/- 0.7 microns
*Full Travel Metric Accuracy	< 5 microns	< 5 microns	< 5 microns
Drive Mechanism	Zero Backlash Precision Ball Screw	Zero Backlash Precision Ball Screw	Zero Backlash Precision Ball Screw
Travel Range	38mm	38mm	38mm
Speed Range (with Max Load)	1 to 14 mm/s	1 to 14 mm/s	1 to 14 mm/s
Encoder	No	No	0.1 micron linear encoder
Max Load	10kg	10kg	10kg
Cable Length	1 meter	1 meter	1 meter

* With Prior ProScan III controller.

PRIOR SCIENTIFIC INSTRUMENTS LTD,
UNIT 4, WILBRAHAM ROAD, FULBOURN,
CAMBRIDGE CB1 5ET
TELEPHONE 01223 881711
FAX 01223 881710

PRIOR SCIENTIFIC INC.,
80 RESERVOIR PARK DRIVE,
ROCKLAND, MA 02370-1062
TELEPHONE 781-878-8442
FAX 781-878-8736

PRIOR SCIENTIFIC INSTRUMENTS GMBH
WILDENBRUCHSTR. 15
D-07745 JENA
TEL: +49 (0)3641 675 650
FAX: +49 (0)3641 675 651

VISIT PRIOR ON THE WEB AT www.prior.com

Specifications subject to change without notice.