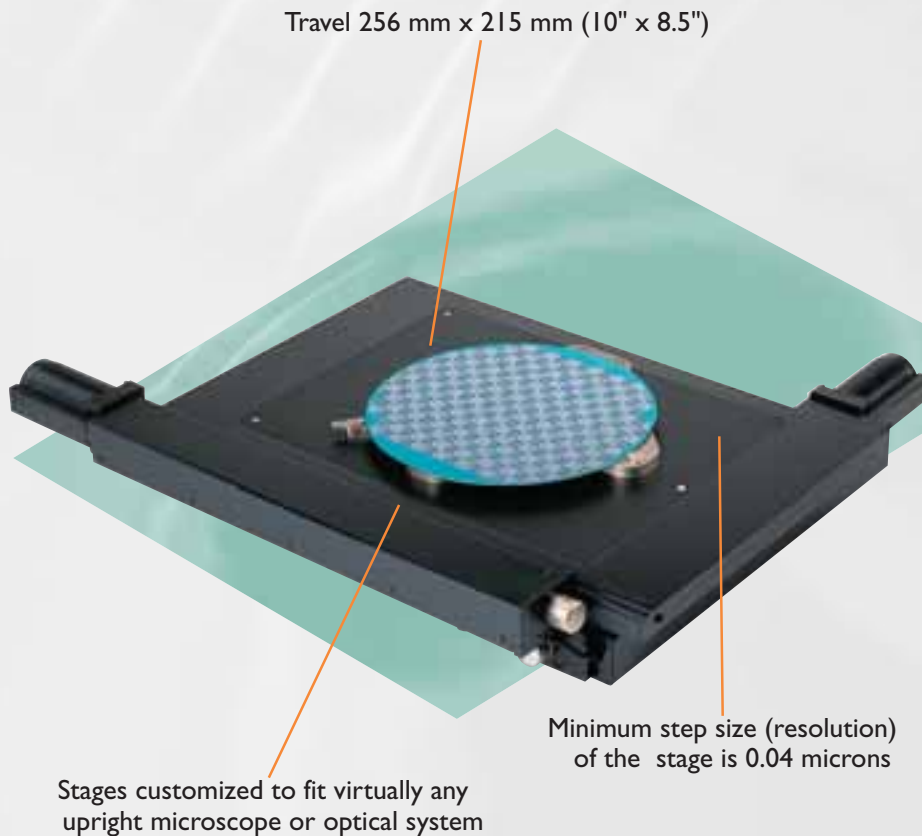


H116 Stage

10"x8.5" Travel, Programmable, Motorized Stepper Stage for Semiconductor Microscopes

Features



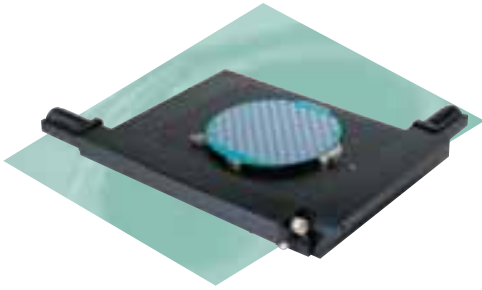
Now add the highest quality, precision motorized stepper stage to your semiconductor inspection microscope: the Prior H116. The H116 is one of a full range of motorized stepper stages from Prior Scientific, adaptable to virtually any microscope or optical system. The H116 is especially well-suited for applications that typically involve large specimens. For example, the H116 is perfect for performing scanning of a wide range of semiconductor wafers, photo masks, flat panel displays, and printed circuit boards. The H116 can easily accommodate 8" (200mm) wafers. A variety of sample holders are available and stage inserts can be customized for any application.

The H116 features:

- Travel 256 mm x 215 mm (10" x 8.5")
- Optional linear scales provide precise and exact positioning, with repeatabilities to 0.3 microns and accuracies to 1 micron.
- Minimum step size (resolution) of the stage is 0.04 microns
- H116 is available with a 2 mm or 5 mm pitch ball screw
- Stages customized to fit virtually any upright microscope or optical system

Prior stages have a well-deserved reputation for quality and repeatability. They are manufactured using the highest quality components: crossed roller ways, zero backlash recirculating ball screws, X and Y limit switches, two high precision stepper motors even a tough scratch resistant coating. They are available with standard and custom sample holders to suit the user's application and requirements. Stages can be driven by the Prior series of motor controllers or compatible systems in existing OEM configurations. The controller can be accessed via RS-232 serial port or with an optional joystick or keyboard. For the H116 and all its products, Prior provides full support and service both direct and indirect – through a professional, knowledgeable and extensive dealer network.

H116 Stage



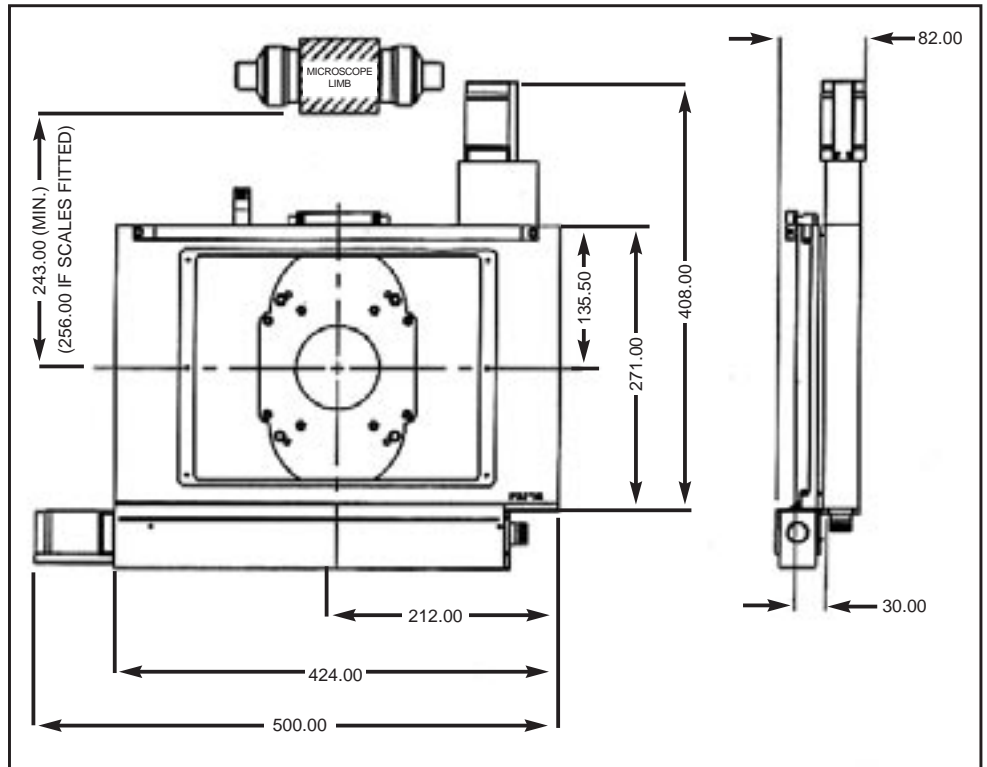
**10"x8.5" Travel,
Programmable,
Motorized Stepper Stage
for Semiconductor
Microscopes**

Standard Sample Holders

500-H225	Glass Plate
500-H232	Solid Aluminum Plate
500-H148	Chuck, Wafer, Spring Loaded for 150 mm Wafers
500-H149N	Chuck, Wafer, Spring Loaded for 200 mm Notched Wafers
500-HWC20S	Chuck, Wafer, Rotatable with Steps for 150 and 200 mm Wafers
500-HWC20V	Chuck, Wafer, Rotatable, with Vacuum for 200 mm Wafers
500-HWC116	Chuck, Wafer Pod, Vacuum

Ordering Information

500-H116/2	Stage with 2 mm pitch screws
500-H116/5	Stage with 5 mm pitch screws
500-H116JENK	Add linear encoders
500-H116/S	Add rotary encoders
500-HK16	Add manual override knobs



Dimensions in millimeters. Drawings shown with optional linear scale.

General Specifications

Travel Range

256 mm x 215 mm (10" x 8.5")

Repeatability*

± 4 µm (micrometer), open loop
± .3 µm with linear scales

Minimum Step Size (Resolution)

0.1 µm

Load Capacity

25 kg (55 lbs)

Stepper Motor

4 phase, 1 amp per phase,
micro stepping

Linear Slides

Crossed 3 mm roller bearings

Drive Screws

Zero backlash, recirculating ball screws;
2 mm or 5 mm pitch

Limit Switches

X and Y standard

Stage Profile

Approximately 30 mm (1.2")
with solid glass plate installed

Weight

7.7 kg (17 lbs)

Finish

Electrophoretic black plate

Accuracy

± 8 µm open loop to ± 1 µm
with linear scales

Flatness

5 µm

Angular Accuracy

±2 arc seconds

*Specifications valid only if used with Prior Controller.

PRIOR
Scientific

PRIOR SCIENTIFIC INSTRUMENTS LIMITED,
UNIT 4, WILBRAHAM ROAD, FULBOURN,
CAMBRIDGE CB1 5ET
TELEPHONE 01223 881711
FAX 01223 881710

PRIOR SCIENTIFIC INC.,
80 RESERVOIR PARK DRIVE,
ROCKLAND, MA 02370-1062
TELEPHONE 781-878-8442
FAX 781-878-8736

VISIT PRIOR ON THE WEB AT www.prior.com

Specifications subject to change without notice.