

Interactive Control Centre

PS3J100 Multifunctional Manual Controller for the ProScan™ III Microscope Automation System.



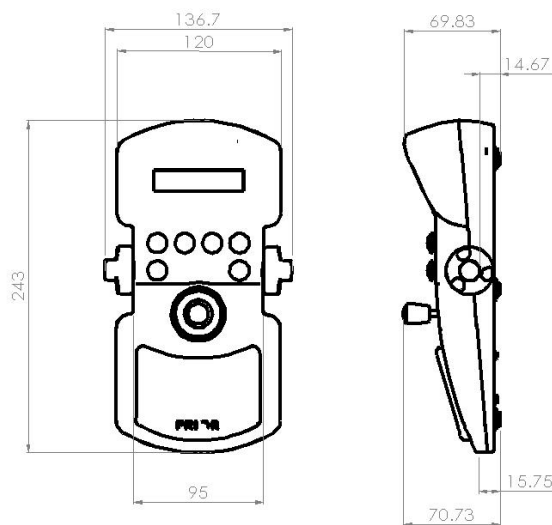
Ergonomically designed to support the hand and make the control of automated microscope functionality comfortable, this manual controller allows you to manipulate accessories attached to the ProScan™ III system. With a Joystick, 2 wheels, 6 buttons and a feedback screen the system is capable of not only controlling a stage, focus, shutters, filter wheels, Lumen200Pro but also providing information about these accessories.

PS3J100 Features:

- Measurement function.
- Positional Feedback on all axis.
- Auto detection of accessories and configuration of display screens.
- All axis control.
- Access to setting of controller.
- Filter wheel position naming (DAPI FITC).
- Ergonomic design.
- Control of X and Y via Joystick or wheels.
- Speed control of Joystick and Focus
- Fast up and fast down Z focus buttons
- Configurable for OEM or B2B solutions

Prior automation products have a reputation for quality and performance. As an ISO 9001:2000 accredited company Prior equipment is designed and manufactured to the highest quality standards. Prior provides full support and service both directly and indirectly through a professional, knowledgeable and extensive global dealer network.

Dimensions



Prior Scientific Limited
Cambridge, UK.
T. +44 (0) 1223 881711
E. uksales@prior.com

Prior Scientific GmbH
Jena, Germany.
T +49 (0)3641 675 650
E. jena@prior.com

Prior Scientific Inc.
Rockland, MA, USA.
T. +1 781-878-8442
E. info@prior.com