

Lumen 200S

Fluorescence Illumination Systems with Shutter Control

Features

Controlled via Prior ProScan or OptiScan shutter port, RS232, USB or TTL

2,000 hour, 200 Watt metal arc lamp

30 millisecond exposure time

Easy to read display indicating bulb life usage



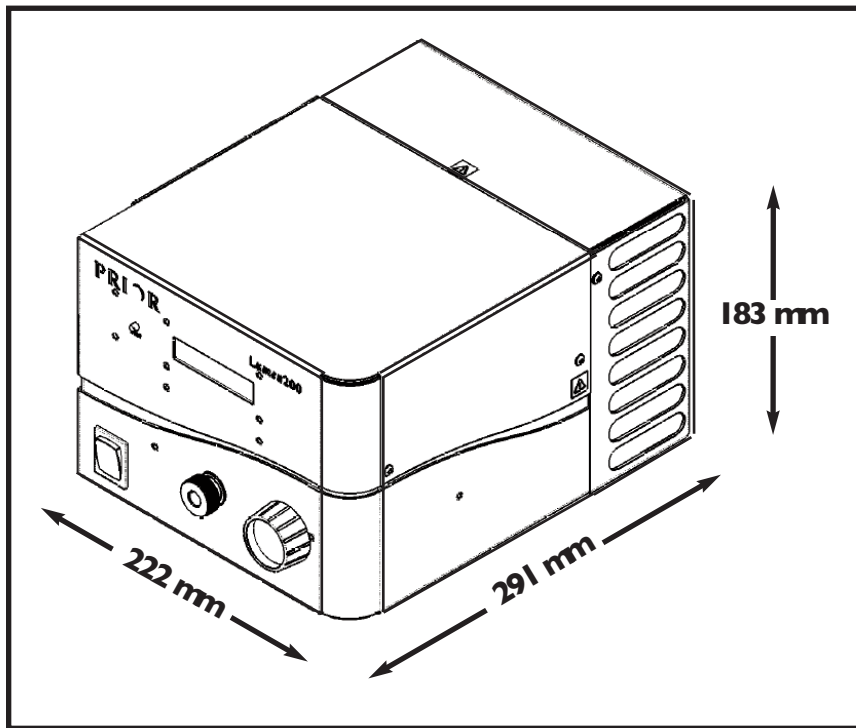
Remotely mounted lamp eliminates heat transfer

Two meter or three meter flexible liquid light guides

Prior Scientific is proud to announce the newest addition to the Lumen series of fluorescence illumination systems - the Lumen 200S with high speed shutter. With a minimum exposure time of 30 milliseconds, the Lumen 200S is suitable for the most demanding imaging applications. A wide variety of control options are available for the Lumen 200S including RS232, USB, TTL and via the ProScan™III and OptiScan™II shutter port. As with the original Lumen 200 and Lumen 200PRO, the Lumen 200S features:

- Remote mounting with two or three meter light guide.
- 2,000 hour life, 200 Watt metal arc lamp
- Stabilized DC power supply for consistent illumination.
- Quiet operation suitable for laboratory use.
- Easy to view display screen for bulb life indication and unit status.
- Adapters available for all modern research microscopes.
- Six position adjustable aperture/intensity knob to protect samples from photobleaching.
- Easy bulb replacement
- Lumen 220S version offers extended spectral output.

Lumen 200S Dimensions



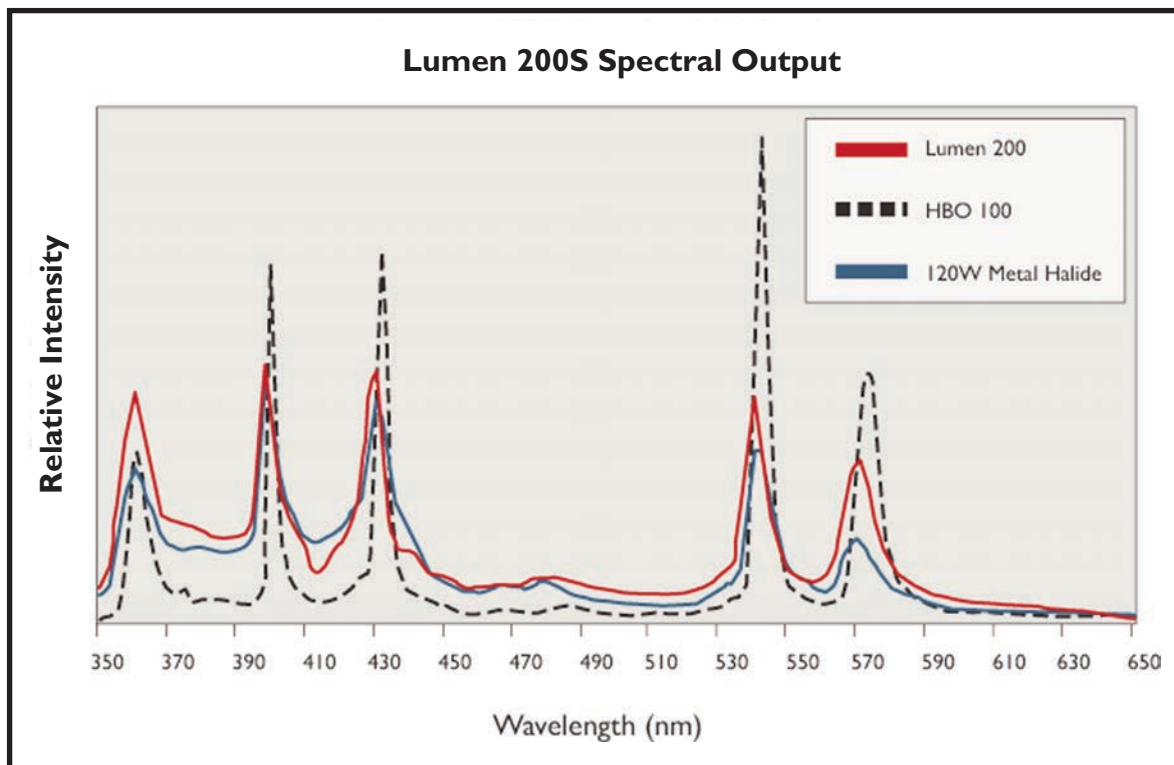
Lumen 200S/220S Part Numbers

Part #	Description
L200S	Lumen with shutter control and standard spectral output. Includes lamp and power supply.
L220S	Lumen with shutter control and extended spectral output. Includes lamp and power supply.
LM587	Two meter light guide
LMLG3MUS	Three meter light guide
LM200B1-A	Replacement bulb

Lumen 200S/220S Specifications

Minimum Exposure	30 milliseconds
Voltage	100-240VAC
Current	2 Amps
Frequency	50-60 Hz
Ambient Operating Temperature	5-30 C
Weight	11 pounds (5kg)

Lumen Spectrum



PRIOR SCIENTIFIC, INC.
80 RESERVOIR PARK DRIVE
ROCKLAND, MA 02370-1062
T: 781-878-8442
E: INFO@PRIOR.COM

PRIOR SCIENTIFIC, LTD.
CAMBRIDGE, UNITED KINGDOM
T: +44 (0) 01223 881711
E: UKSALES@PRIOR.COM

PRIOR
scientific

PRIOR SCIENTIFIC GMBH
JENA, GERMANY
T: +49 (0)3641675650
E: VETRIEB@PRIOR.COM

PRIOR SCIENTIFIC KK
TOKYO, JAPAN
T: +81 (0)3 5847 8213
E: INFO-JAPAN@PRIOR.COM

041112

VISIT PRIOR ON THE WEB AT www.prior.com