

NanoScanZ 100 and 200

Fast Piezo Focusing Stage



The NanoScanZ from Prior Scientific offers researchers unprecedented levels of performance and convenience when fast and precise control of the Z Axis is required.

Ideally suited to Z-Stacking applications, particularly those involving live cells, the NanoScanZ brings a new dimension to deconvolution, 3D reconstruction and confocal microscopy.

Unlike traditional piezo focusing devices that move a single objective lens, the NanoScanZ can be used with all nosepiece positions. This ensures no loss of parfocality. It is also possible to continue using DIC as a contrasting technique when using NanoScanZ.

Compatible with the ProScan HI 17 range of stages

NanoScanZ Features:

- Travel range 100 or 200 micron
- Accuracy 0.5% of travel
- Linearity 0.5% of travel
- 1nm Repeatability
- Interchangeable Sample Holders
- High Precision closed loop feedback
- Compatible with ProScan Controllers and motorised stages
- Can be driven by any software supporting piezo objective collars
- Faster than objective collars
- Any size movement complete in approximately 10ms
- Fully CE compliant
- LCD Display to clearly show current position
- RS232 and USB control.

Available Piezo focusing stages:

Part Number	Movement Range	Suits Sample Sizes
NZ100	100um	26x76mm Slides and 35mm Petri dishes.
NZ200	200um	26x76mm Slides and 35mm Petri dishes.
NZ250	250um	26x76mm Slides and up to 70mm Petri dishes, Microtitre or Well plates, (85x 128mm).
NZ500	500um	26x76mm Slides and up to 70mm Petri dishes, Microtitre or Well plates, (85x 128mm).

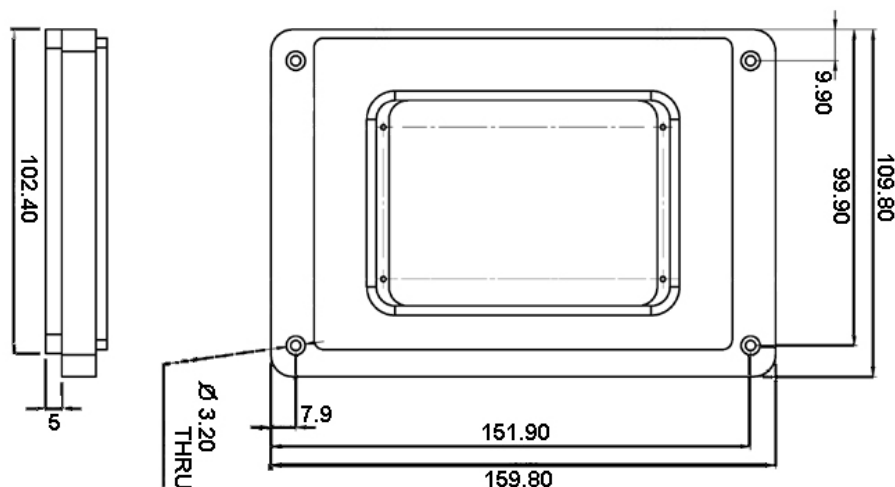
Specifications

Feature	Specification
Operating Temperature Range	5 to 50°C
Body Material	Anodised Aluminium
Stage Control Input	Analogue (0-10 Volt DC) USB RS232 from ProScan H30 Controller
Power Requirement	90-240 Volt AC
Output Position Signal	0.0-10.0 Volt DC

Feature	Specification
Range of Motion	100 or 200 micron
Repeatability	1nm
Accuracy/Linearity	0.5% of Travel
Maximum Load	500g (contact Prior for larger loads)
Resonant Frequency	1 KHz
Inplane Tilt	10µrad (typical)

Compatibility

Outline dimensions



Available Inserts

Part Number	Description
H471	Slide Holder for one 76 x 26mm Microscope Slide
H472	Specimen Holder for 35mm Petri Dish
H499	Universal Specimen Holder (Slides, Petri Dishes and 35 mm Small Flasks)
H489	Adaptor Plate for Manual Stages from Zeiss, Olympus and Nikon Inverted Microscopes
W3569	Incubator Includes: Control unit with a Gas Flowmeter for Pre-Mixed Gas Incubator with Heated Top and Objective Heater.

NanoScanZ is compatible with ProScan HI 17 motorised stages for the following instruments;

- **Zeiss AxioVert 200/AxioObserver**
- **Olympus IX51/71/81**
- **Nikon TE2000/TI**
- **Leica DMIRB/DMI4000/5000/6000**

NanoScanZ can also be mounted onto some the manual stage supplied with the instruments mentioned above. This requires an adapter plate supplied by Prior. The NanoScanZ stage is also compatible with the H101 range of ProScan stages for upright microscopes. Contact your local Prior dealer for the full range of microscopes supported.



CERTIFICATE NO: FM 61600
STANDARD: BS EN ISO 9001:2000

Prior Scientific Limited
Cambridge, UK.
T. +44 (0) 1223 881711
E. uksales@prior.com

Prior Scientific GmbH
Jena, Germany.
T +49 (0)3641 675 650
E. jena@prior.com

Prior Scientific Inc.
Rockland, MA, USA.
T. +1 781-878-8442
E. info@prior.com