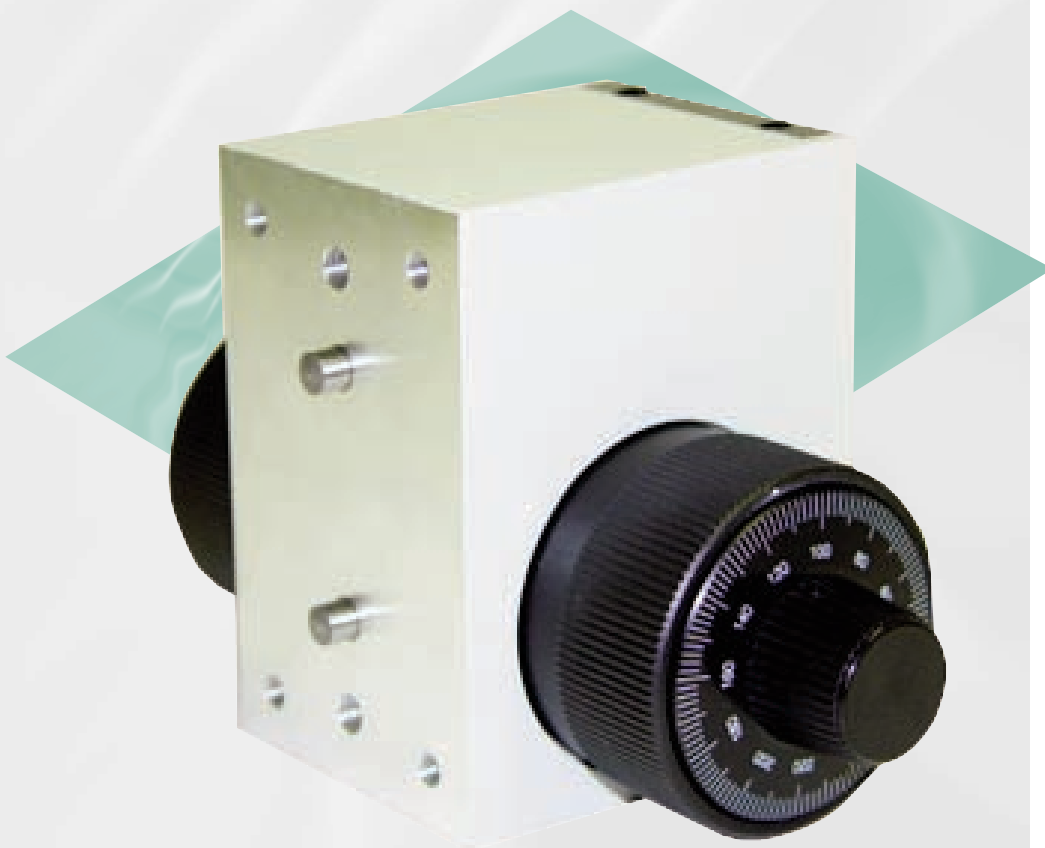


FB201 Focus Block

PRIOR
Scientific



Introducing Prior Scientific's new co-axial coarse and fine focusing block, designed for OEM applications where precise fine focus adjustment is required. Rack and pinion mount allows smooth, precise focusing over 29 mm of travel. A Large coarse focus mechanism incorporates a slip clutch and tension adjustment. Fine focus adjustment control is graduated in two micron divisions throughout the coarse focus range. Motorized control is also available and is easily interfaced with Prior's standard line of focus controllers. The focus block can be easily adapted to various mounting configurations.

Ordering Information

OEM Focus Block Part Number: FB201

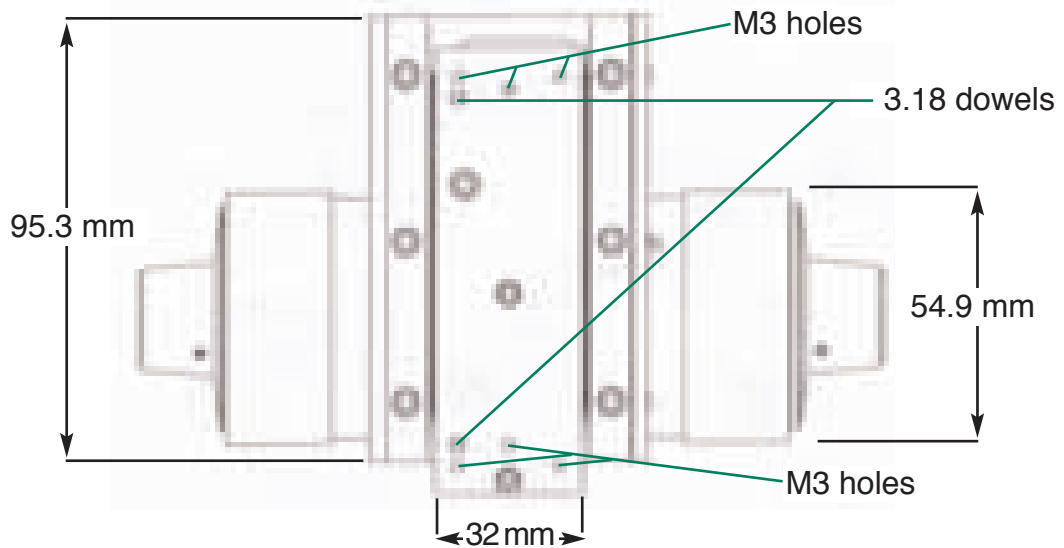
PRIOR SCIENTIFIC INC.,
80 RESERVOIR PARK DRIVE,
ROCKLAND, MA 02370-1062
TELEPHONE 781-878-8442
FAX 781-878-8736

**VISIT PRIOR ON THE
WEB AT www.prior.com**

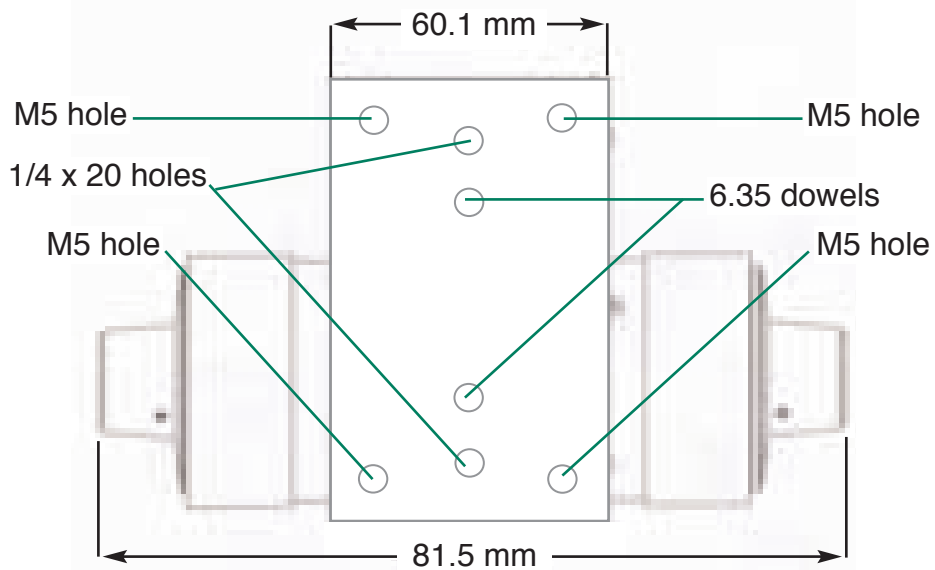
Specifications subject to change without notice.

FB201 Focus Block Dimensions

Front View



Rear View



Side View

