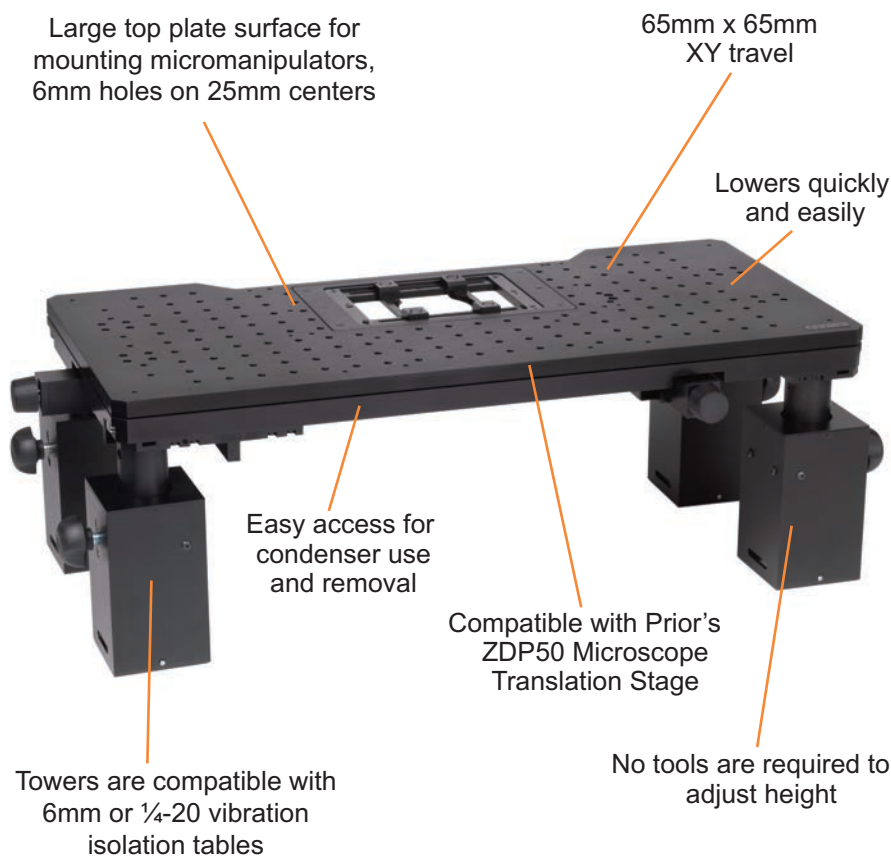


Manual XY Stage ZDeck Quick Adjust Platform System



Prior Scientific's patent pending Manual XY Stage ZDeck Quick Adjust Platform enables users to manually adjust the sample XY position with zero electrical noise via X and Y axis knobs. Additionally, the manual XY Stage ZDeck provides users with an ultra stable platform with the flexibility to quickly adjust height for different requirements.

Manual Top ZDeck Quick Adjust Platform features:

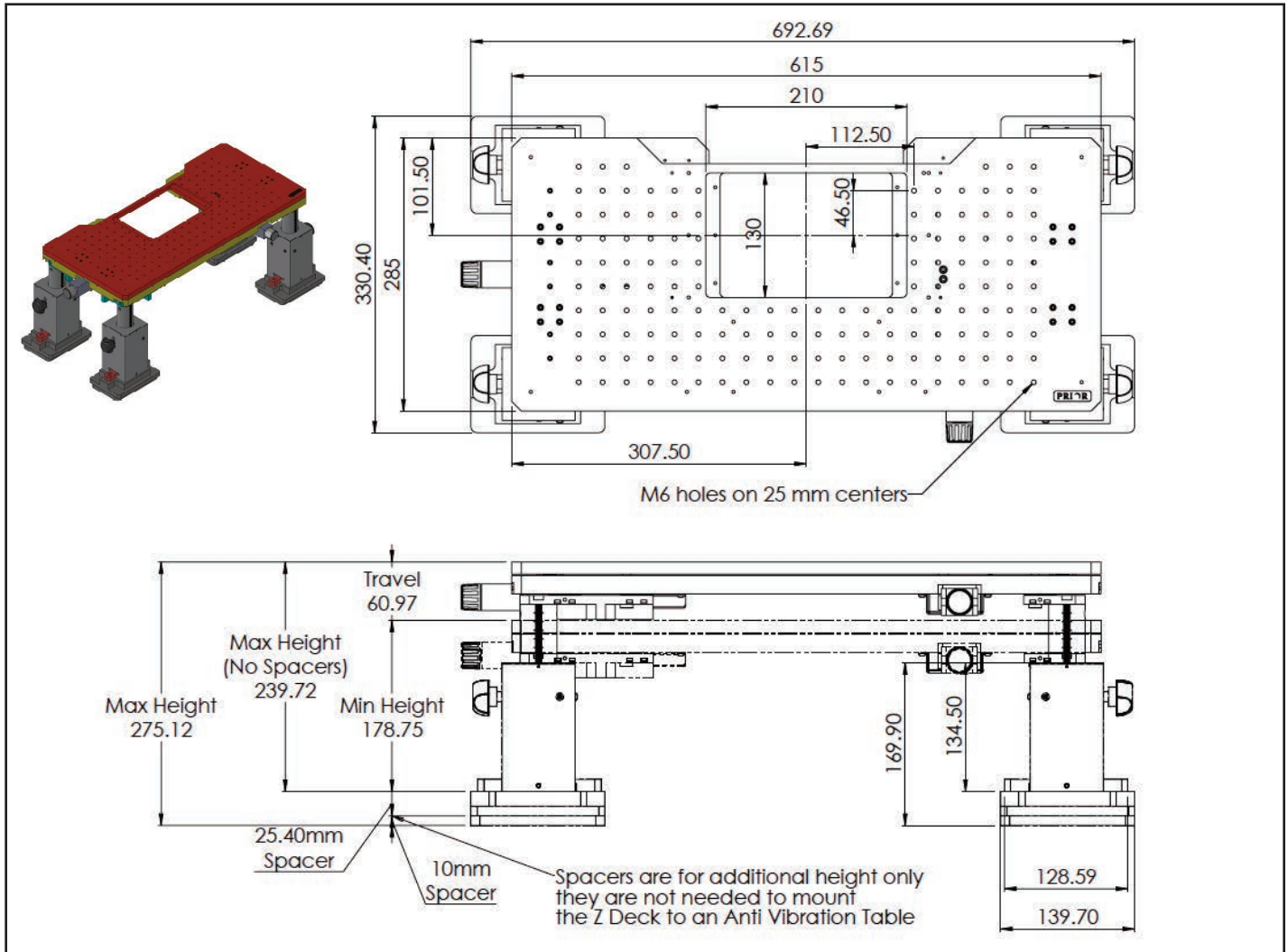
- Fully locking pneumatic piston towers which make raising and lowering the ZDeck virtually effortless while maintaining stability.
- No tools are required to adjust the height.
- Change between thin sample and whole animal imaging height in seconds.
- Oversized top surface for mounting additional micromanipulators and stereotaxic instruments.
- Large sample area for mounting existing, heating, cooling, perfusion and incubation chambers.

Features:

- Provides users with an ultra stable platform with the flexibility to quickly adjust height for different requirements
- Manually adjust the sample XY position with zero electrical noise via X and Y axis knobs
- No tools are required to adjust height
- Changing between thin sample and whole animal imaging can be accomplished in seconds
- Pneumatic pistons make raising and lowering the unit effortless
- 65mm x 65mm XY travel
- Compatible with 6mm or 1/4-20 vibration isolation tables
- Pillar spaces allow for Koehler illumination at a range of focus heights
- Compatible with multi-photon setup configurations
- Compatible with Prior's ZDP50 Microscope Translation Stage

Manual XY Stage ZDeck Quick Adjust Platform System

Outline Drawing and Part Number Information



Ordering Information

Part Number	Description
ZDN12MK	Manual XY Stage ZDeck Quick Adjust Platform for Nikon FN1/Ni
ZDP12MK	Manual XY Stage ZDeck Quick Adjust Platform for Olympus BX51/61WI
ZDZ12MK	Manual XY Stage ZDeck Quick Adjust Platform for Zeiss Axio Examiner



Worldwide distribution

Prior Scientific Ltd
Cambridge, UK

T. +44 (0) 1223 881711
E. uksales@prior.com

Prior Scientific Inc
Rockland, MA, USA

T. +1 781-878-8442
E. info@prior.com

Prior Scientific GmbH
Jena, Germany

T. +49 (0) 3641 675 650
E. jena@prior.com

Prior Scientific KK
Tokyo, Japan

T. +81-3-5652-8831
E. info-japan@prior.com